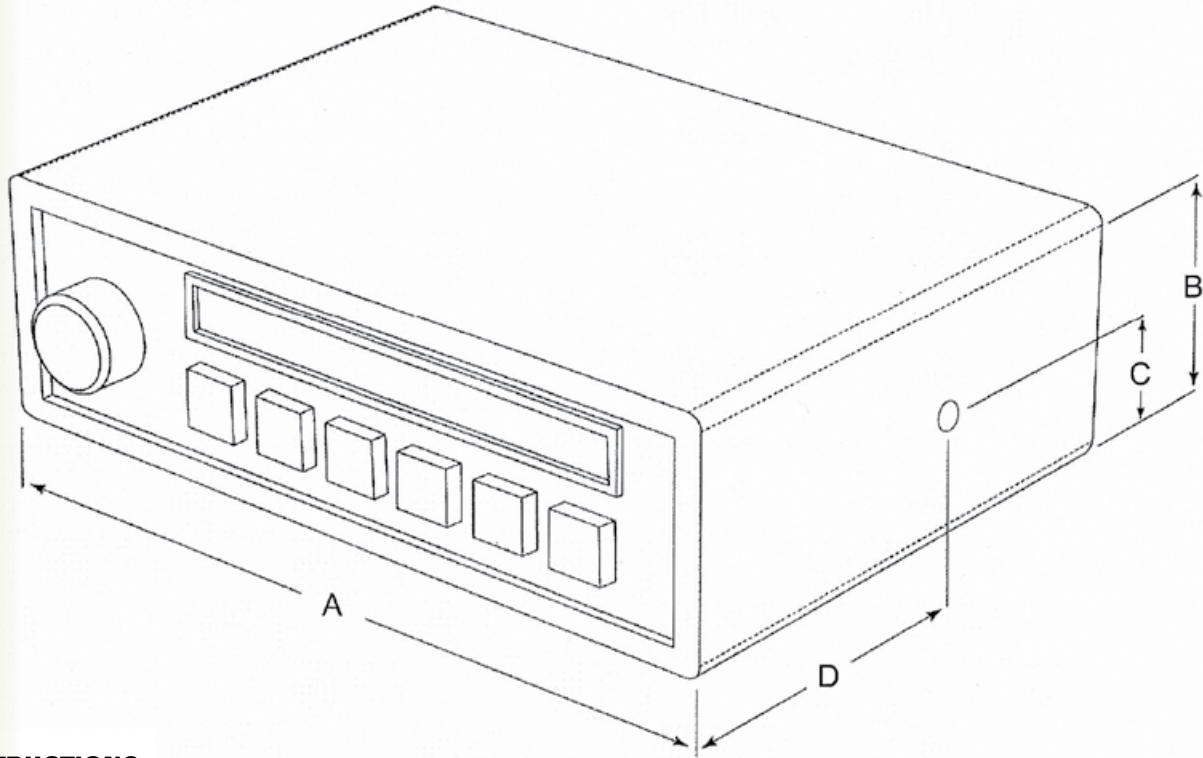


# Face Plate Mounting Form



## INSTRUCTIONS:

Fill out the information below by using the diagram for a guide. If you have more than one piece of equipment for your console, please make a copy of this page and fill out individually for each piece.  
(For example: Radio, Siren and Switch Panel) Any questions please call 1.800.232.0162.

Manufacturer: \_\_\_\_\_

Model No. \_\_\_\_\_

Dimensions:

A \_\_\_\_\_

B \_\_\_\_\_

C \_\_\_\_\_

D \_\_\_\_\_

Contact Information:

Name: \_\_\_\_\_

Dept. or Company: \_\_\_\_\_

Phone: \_\_\_\_\_

Once complete, please FAX form to:

**800-710-9099**

**or email to [sales@adamsonindustries.com](mailto:sales@adamsonindustries.com)**

